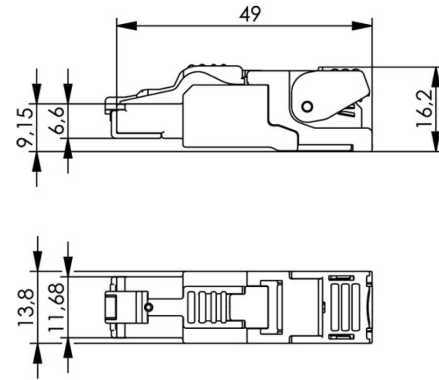


# J00026A2001

Field Assembly RJ45 plug MFP8 T568 B Cat.6A



AWG 24/1-22/1, AWG 27/7-22/7, incl. pre-assembled protection cap.

## Performance Characteristics

- pre-assembled protection cap
- robust zinc diecast housing
- 360° shielding
- full metal shielding between pairs of wires
- three strain relief settings (cable diameters 5.0 mm to 9.0 mm)
- can be assembled in 60 seconds without any special tools
- optimised for the field, including demanding applications
- secure transmission even with outside interference
- four-chamber wire manager (available with colour code T568A or T568B and PROFINET)
- suitable for cabling in office buildings, data centers, industrial facilities and home networks
- supreme reliability
- ideal for network repairs, special lengths and extensions
- piercing contacts suitable for solid and stranded conductors

# J00026A2001

Field Assembly RJ45 plug MFP8 T568 B Cat.6A

## Specification

Mechanical Characteristics	
Insertion force	≤ 30 N
Durability (Matings)	≥ 750
Reusable contacts	≤ 10 cycles
Cu-Conductor diameter: solid	0.51 - 0.64 mm (AWG24/1-22/1)
Cu-Conductor diameter: stranded	0.46 - 0.76 mm (AWG27/7-22/7)
Mating Requirements Cu-Conductor diameter: stranded	0.61 - 0.78 mm (AWG24-22/19)
Core Diameter	1,0 - 1,6 mm
Material: contacts	phosphor bronze tinned
Material: connector housing	PC UL94 V0
Material: PCB	FR4 UL 94 V0
Material: piercing contacts	phosphor bronze tinned
Material: shield contact	brass, nickel-plated
Material: wire pair presorting	PC UL94 V0 white
Material: uplock hook	PBT UL94 V0
Material: shielding housing	zinc diecast, nickel-plated
Material: cable clamp	PBT UL94 V0
Material: protection cap	PBT UL94 V0

Climatic Characteristics	
Temperature range [°C]	-40/ 85
UL	E244889

Electrical Characteristics	
Current carrying capacity at 50°C	1 A

Standards	
Connectors	IEC 60603-7-51
10 Gigabit Ethernet acc. to IEEE 802.3an	Adequate for 10 Gigabit Ethernet