

Showline

19 Pin Socapex Compatible Connectors

Features & Benefits

- Proprietary 6-circuit lighting connectors feature 12 interlocking keys to help prevent spinning of the interior within the male and female housing.
- Prevents misalignment of male and female circuit conductors and unmateable or mismatched connections
- Helps prevent broken conductors and loose or damaged ground rings
- Multi-cables carry 6-circuits of lighting power inside a single jacket, avoiding 6 individual runs of cable
- "Tempered Spring" female contacts maintain constant pin pressure to help ensure low resistance connections
- Machined aluminum housing with a hard wearing black finish provides enhanced durability
- Silver plated brass contacts provide high conductivity
- Available as standard for 1.5 mm and 2.5 mm cable to meet specific requirements
- All black construction blends into scenery and is ideal for stage or studio lighting applications

Higher Rating

- SHL Connectors are rated 23 Amps, 600 VAC
- Each circuit can carry up to a maximum of 23 Amps continuous load
- Interiors are clearly and permanently marked on front and back for ease of wiring and circuit identification

No More Spinning Interiors!

Showlines proprietary new anti-rotation design features 12 interlocking keys to help prevent the spinning of an interior within a connector's male or female housing. The new SHL connectors help to eliminate this long standing industry problem, while delivering enhanced safety and durability. The new connector design helps lower maintenance requirements and total cost of ownership.

- Helps eliminate broken conductors and loose or damaged ground rings
- Prevents misalignment of male and female circuit conductors



New anti-rotation connector features 12 interlocking keys to prevent spinning.



Grounding Rings

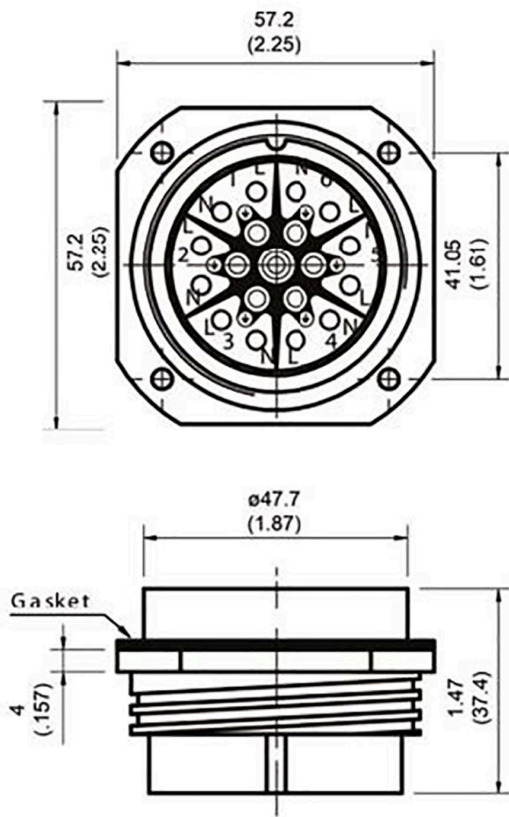
A recessed area in the interior accepts the grounding rings, allowing the ground conductors in multi-cable to be bonded. Extended grounding contacts provide First Make Last Break Connection.



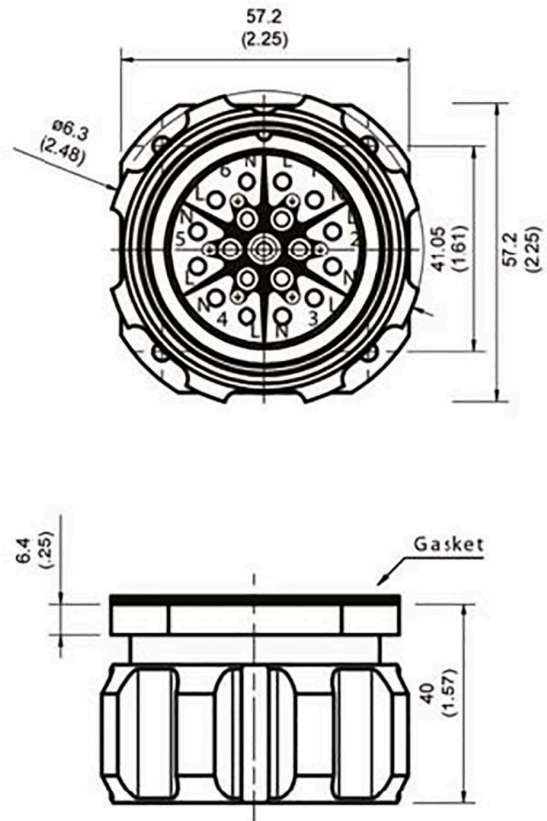
"Tempered Spring" Female Contacts

maintain constant pressure over the life of the device and help ensure low resistance connections. Silver plated brass contacts allow for high conductivity.

Female Panel Mount



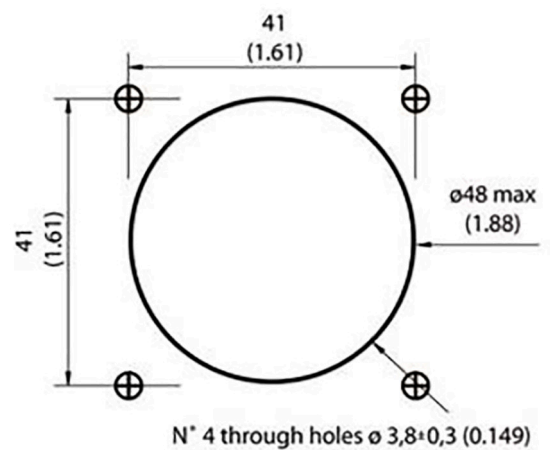
Male Panel Mount



Specifications

Current Rating	23 Amps
Voltage Rating	600 VAC Max
Operating Temp	-55° to +60°C
Ingress Protection	IP67 watertight when mated
Shells	Machined Aluminum
Finish	Hard wearing Black
Insert	Silicone
Cable Entry	Standard M40 - 15 - 23mm M40 O/S - 26 - 32mm
Conductor Size	Standard 1.5 mm ² / 2.5 mm ²
Contacts	Silver Plated Brass

Panel Cut Out



Belcom Cables Ltd. ("Belcom") reserves the right to make changes to the product described in this specification without prior notice. Belcom does not assume any liability which may occur due to the use of the specification described herein. Drawings are not to scale unless otherwise specified and are provided for general and informational purposes only. All values represented in this specification should be used as a guide only and exact product details can be confirmed at point of enquiry.