

# BNC1C179 - Male Crimp (Jack)

**75Ω**

Full Clamp Plug, Turned Brass Body Nickel plated with Gold Plated Contact for RG179

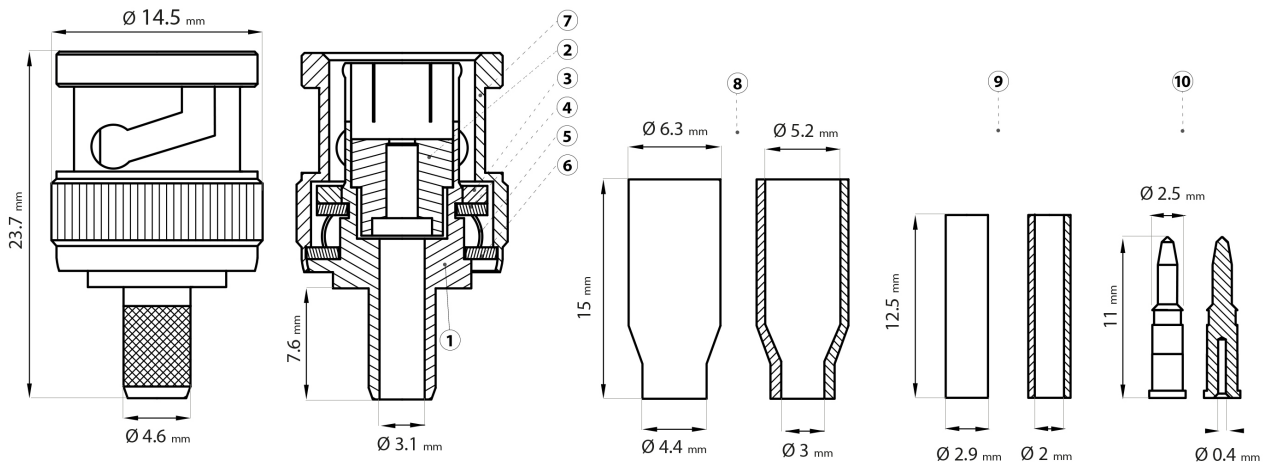
### Connector Design

Crimped Ferrule Hex Crimp size 0.213"

Crimped Contact Pin SQ crimp size 0.068"

Crimp Tool Reference TL 9565 Kit

Strain relief boot series 100 - SR1\*\*



1 - Body 2 - Insulator 3 - Gasket 4 - C Washer 5 - Spring 6 - Washer 7 - Shell 8 - Contact Pin 9 - Ring 10 - Ferrule

| Number | Description | Material | Finish |
|--------|-------------|----------|--------|
| 1      | Body        | Brass    | Nickel |
| 2      | Insulator   | Delrin   | White  |
| 3      | Gasket      | Brass    | Brass  |
| 4      | Washer      | Steel    | Nickel |
| 5      | Ring        | Teflon   | Teflon |
| 6      | Washer      | Steel    | Nickel |
| 7      | Shell       | Teflon   | Teflon |
| 8      | Contact Pin | Brass    | Gold   |
| 9      | Ring        | Delrin   | White  |
| 10     | Ferrule     | Brass    | Nickel |

Unless otherwise specified tolerances are as below

|          |        |
|----------|--------|
| 0.5-6    | = ±0.2 |
| >6-30    | = ±0.4 |
| >30-120  | = ±0.6 |
| >120-315 | = ±1   |
| 315-1000 | = ±1.6 |

ANGLES = ±5°

Recommended Cable Stripping Dimensions (mm)

