

BPCR1694AHD - BNC Male Crimp

75Ω

BNC CRIMP JACK FOR 1694A, RG179BU, TRIPLE COAX CABLE This BNC Male Crimp Jack fits coaxial cables RG179BU, RG179PE, RG179LSZH

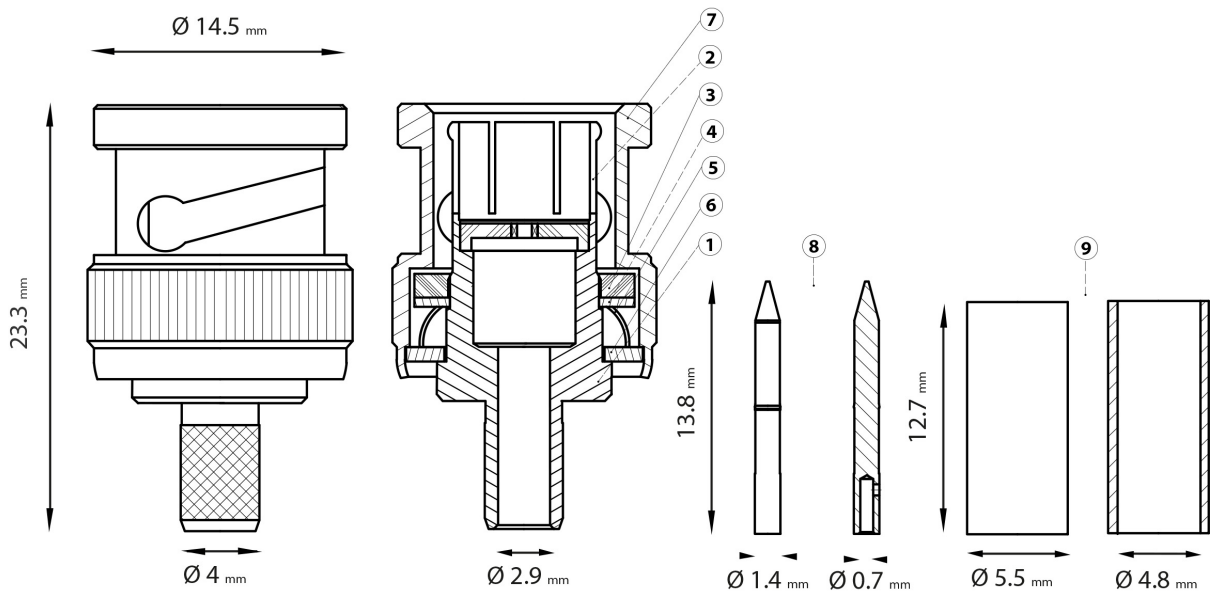
Connector Design

Crimped Ferrule Hex Crimp size 0.262"

Crimped Contact Pin SQ Crimp size 0.042"

Crimp Tool Reference CR015075

Strain relief boot series SR300



1 - Body 2 - Insulator 3 - Gasket 4 - Spring 5 - C Ring 6 - Washer 7 - Shell 8 - Contact Pin 9 - Ferrule

Number	Description	Material	Finish
1	Body	Brass	Nickel
2	Insulator	Teflon	White
3	Gasket	Rubber	Red
4	C Ring	Steel	Nickel
5	Spring	SK-5	Nickel
6	Washer	Steel	Nickel
7	Shell	Zinc Alloy	Nickel
8	Contact Pin	Brass	Gold
9	Ferrule	Brass	Steel

Unless otherwise specified tolerances are as below

0.5-6	= ±0.2
>6-30	= ±0.4
>30 -120	= ±0.6
>120 - 315	= ±1.6 >
315 - 1000	= ±1.6

ANGLES = ±5°

Recommended Cable Stripping Dimensions (mm)