

# BNC2C179 - BNC Female Crimp (Jack)

**75Ω**

Full Crimp Plug, Turned Brass Body, Nickel Plated with Gold Plated Contact, suitable for RG179BU, RG179 FLEX, RGB Style Coaxial

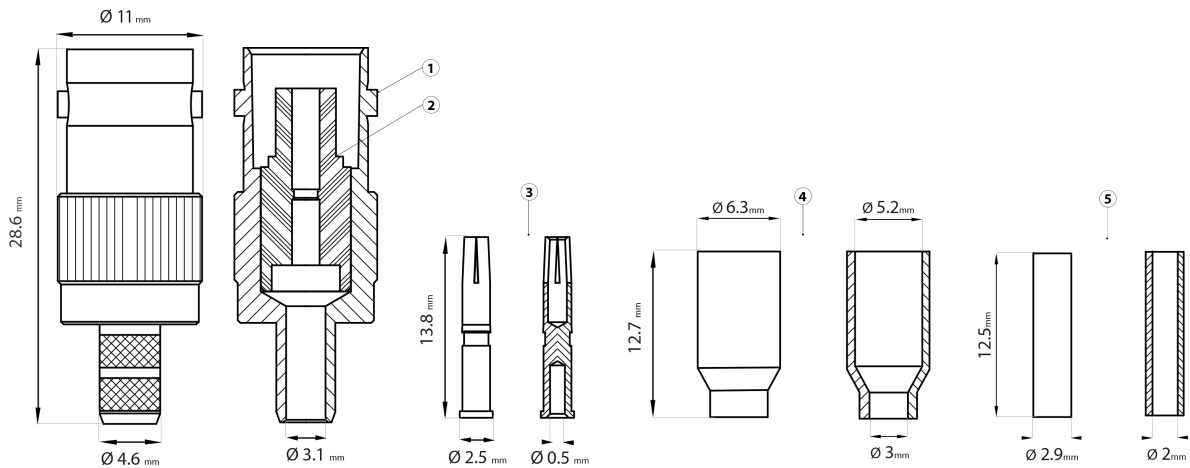
## Connector Design

Crimped Ferrule Hex Crimp size 0.213"

Crimped Contact Pin SQ crimp size 0.068"

Crimp Tool Reference TL-9571 or TL-9565 Kit

Strain relief boot series 400 - SR4\*\*



1 - Body 2 - Insulator 3 - Contact Pin 4 - Ferrule 5 - Spacer

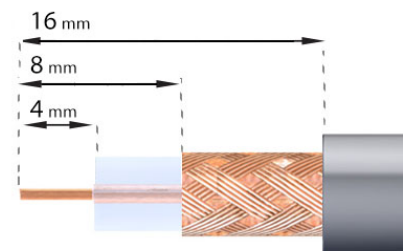
Number	Description	Material	Finish
1	Body	Brass	Nickel
2	Insulator	*Delrin	White
3	Contact Pin	Brass	Gold
4	Ferrule	Brass	Nickel
5	Spacer	*Delrin	White

Unless otherwise specified tolerances are as below

0.5-6	= ±0.2
>6-30	= ±0.4
>30 -120	= ±0.6
>120 - 315	= ±1
315 - 1000	= ±1.6

ANGLES = ±5°

Recommended Cable Stripping Dimensions (mm)



\*Delrin is a registered trademark of DuPont™