

# BNC1C213 - BNC Crimp plus to suit RG213/U, URM67

**50Ω**

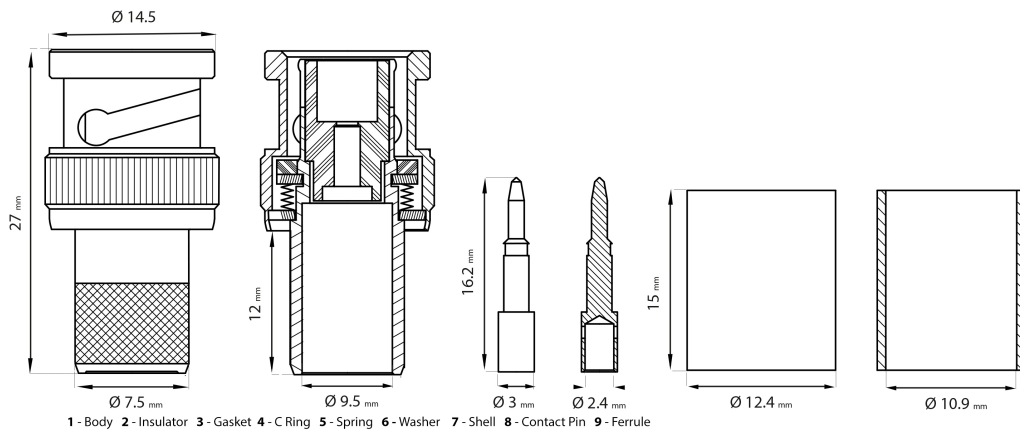
Full Crimp Plug, Turned Brass Body Nickel Plated with Gold Plated Contact suitable for RG213 and URM67

### Connector Design

Crimped Ferrule Hex Crimp size 0.429"

Crimped Contact Pin SQ crimp size 0.100"

Crimp Tool/Reference TL-9571 or TL-9565 Kit



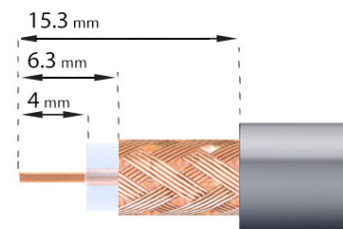
Number	Description	Material	Finish
1	Body	Brass	Nickel
2	Insulator	Delrin*	White
3	Gasket	Rubber	Red
4	C Ring	Steel	Nickel
5	Spring	Steel	Nickel
6	Washer	Steel	Gold
7	Shell	Zinc Alloy	Nickel
8	Contact Pin	Brass	Gold
9	Ferrule	Brass	Nickel

Unless otherwise specified tolerances are as below

0.5-6	= ±0.2
>6-30	= ±0.4
>30 -120	= ±0.6
>120 - 315	= ±1
315 - 1000	= ±1.6

ANGLES = ±5°

Recommended Cable Stripping Dimensions (mm)



\*Delrin is a registered trademark of DuPont™