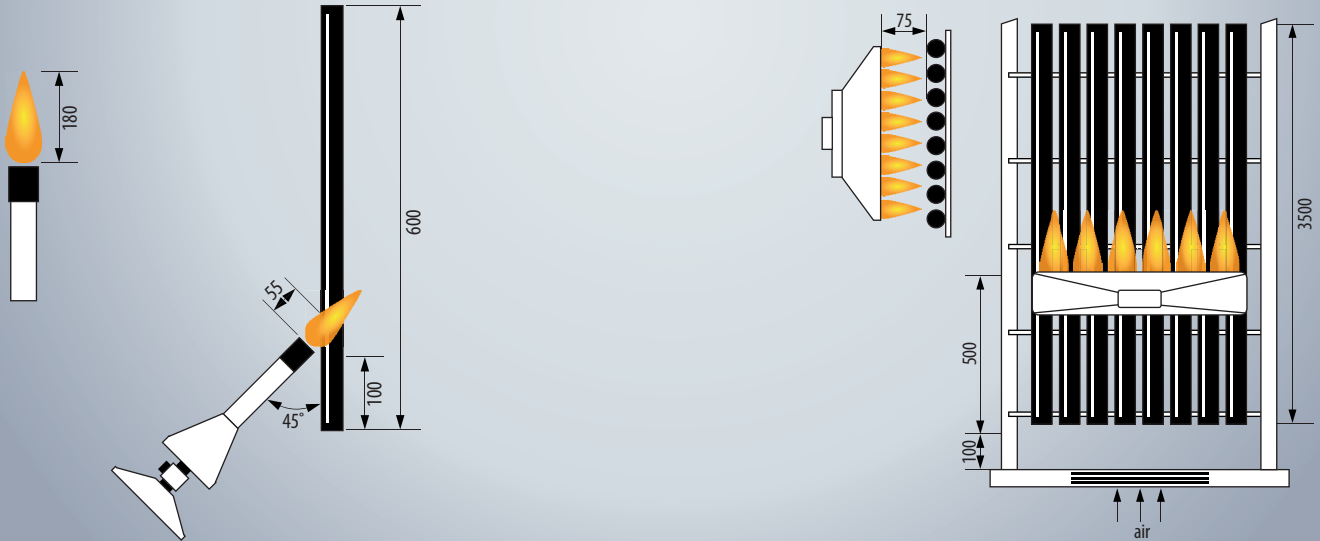


# IEC Single and large scale flame tests



## IEC 60332-1-2 / EN 60332-1-2 / VG 95218-2 Method 1 / BS 4066 Part 1

**Test set-up :** The single cable to be tested is fixed vertically and exposed to a Bunsen burner flame at a 45° angle to the vertical. Test apparatus according to IEC/EN 60332-1-1

**Flame temperature :** Determined by the specified setting of the Bunsen burner flame.

**Test duration :** Cable with a diameter of  $\leq 25$  mm: 60 sec  
Cable with a diameter of  $25 < D \leq 50$ mm: 120sec

**Compliance criteria :** The fire damage must end at least 50 mm below the upper fixing clamp.  
The cable must be self-extinguishing.

## IEC 60332-3/EN 50266-2

**Test set-up :** The cables are fixed to a ladder, close together or at a distance depending on the type of fire. The cables may be fixed in several layers.

**Flame temperature :** Determined by the specified volume of propane and air.

**Test duration :** Part 21: Category A F/R only for special applications  
Part 22: Category A (7 l flammable material/m): 40 min  
Part 23: Category B (3.5 l flammable material/m): 40 min  
Part 24: Category C (1.5 l flammable material/m): 20 min  
Part 25: Category D (0.5 l flammable material/m): 20 min

**Compliance criteria :** Fire damage to the cable may be visible for a maximum of 2.5 m from the bottom of the burner to the top.